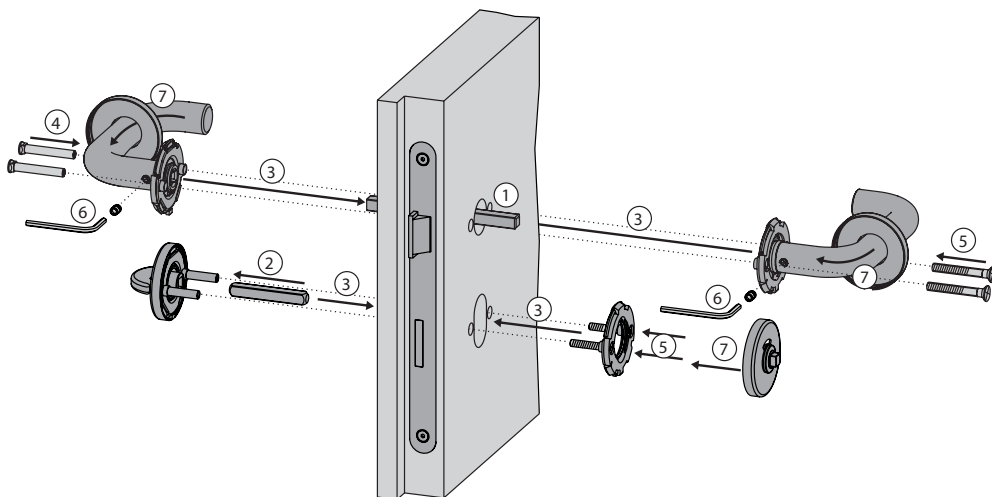
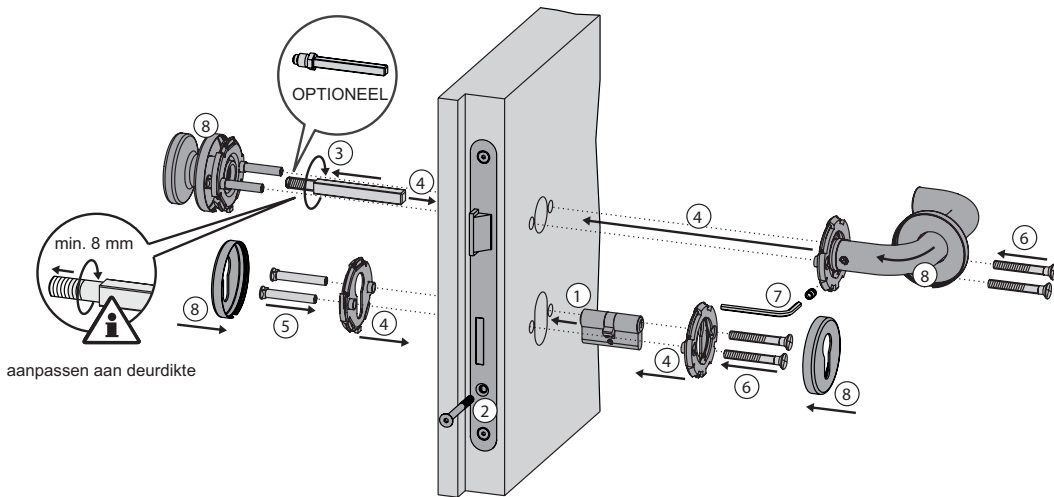
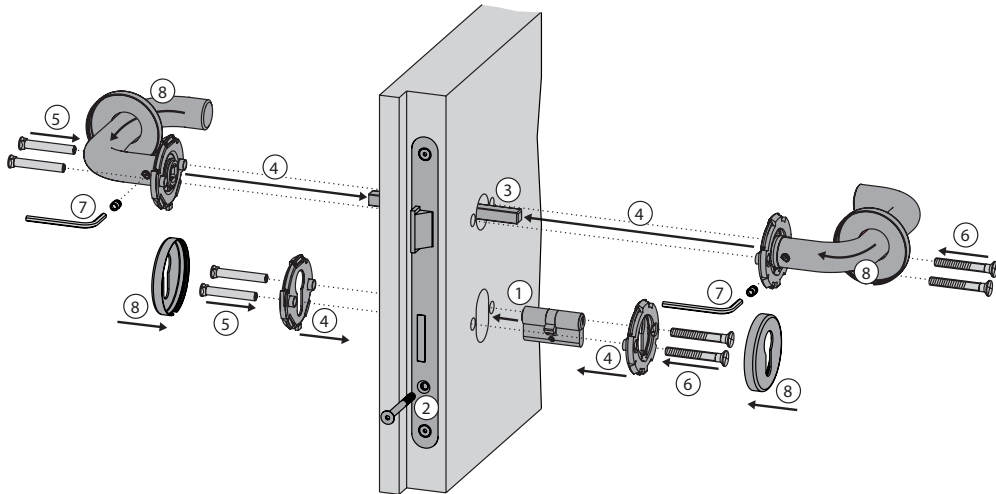


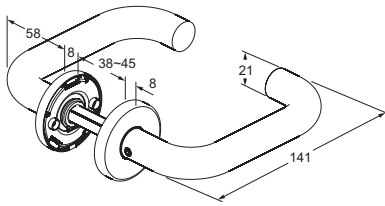
MODELLEN

E-S110-RKK, E-S110-AKK, E-S110-RPK, E-S110-APK, E-S110-RWC, E-S110-AWC,
E-S210-RKK, E-S210-AKK, E-S210-RPK, E-S210-APK, E-S210-RWC / E-S210-AWC,
E-S410-RKK, E-S410-AKK, E-S410-RPK, E-S410-APK, E-S410-RWC / E-S410-AWC
E-DSR / E-DSA

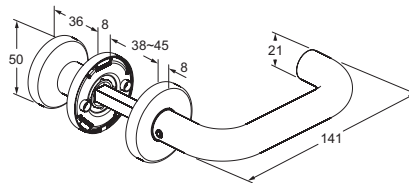


AFMETINGEN

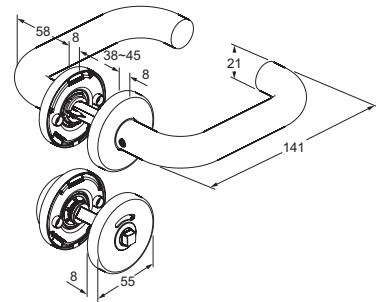
E-S110-RKK / E-S110-AKK



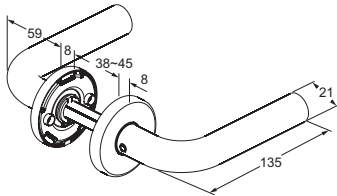
E-S110-RPK / E-S110-APK



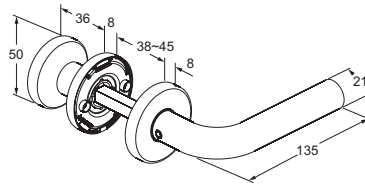
E-S110-RWC / E-S110-AWC



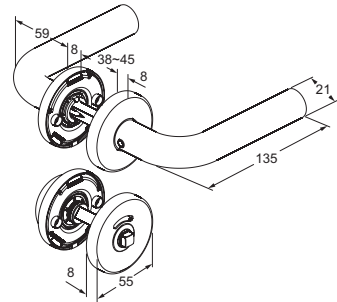
E-S210-RKK / E-S210-AKK



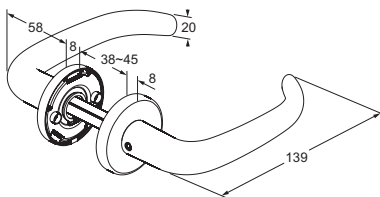
E-S210-RPK / E-S210-APK



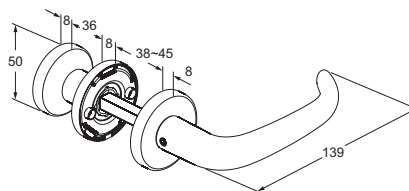
E-S210-RWC / E-S210-AWC



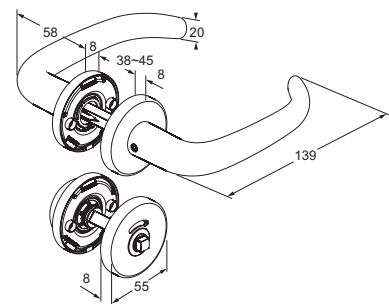
E-S410-RKK / E-S410-AKK



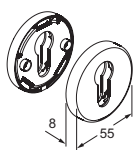
E-S410-RPK / E-S410-APK



E-S410-RWC / E-S410-AWC



E-DSR / E-DSA



VERGRENDELINGEN

ELEKTROMAGNETEN

TOEGANGSCONTROLE

ACCESSOIRES

DEURDRANGERS

DEURBESLAG